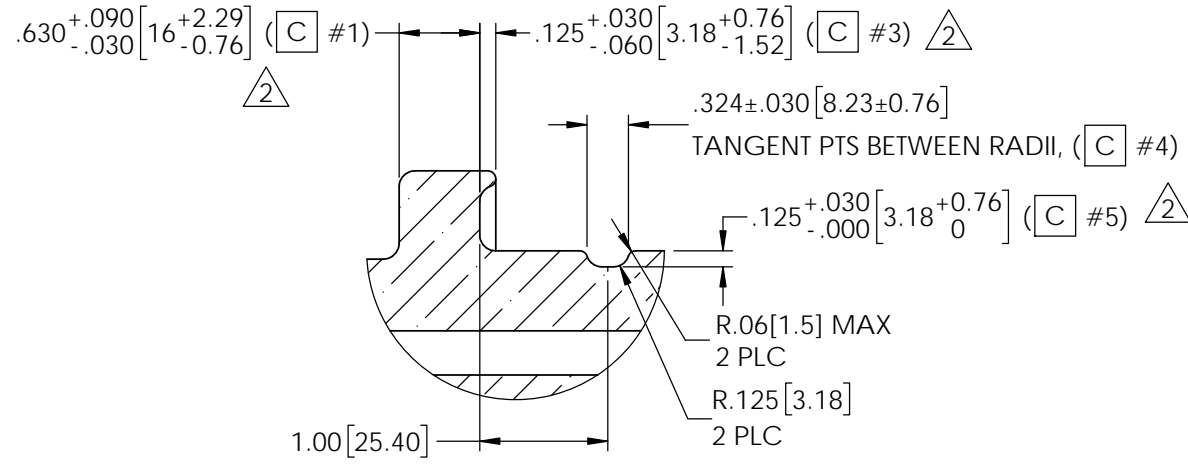
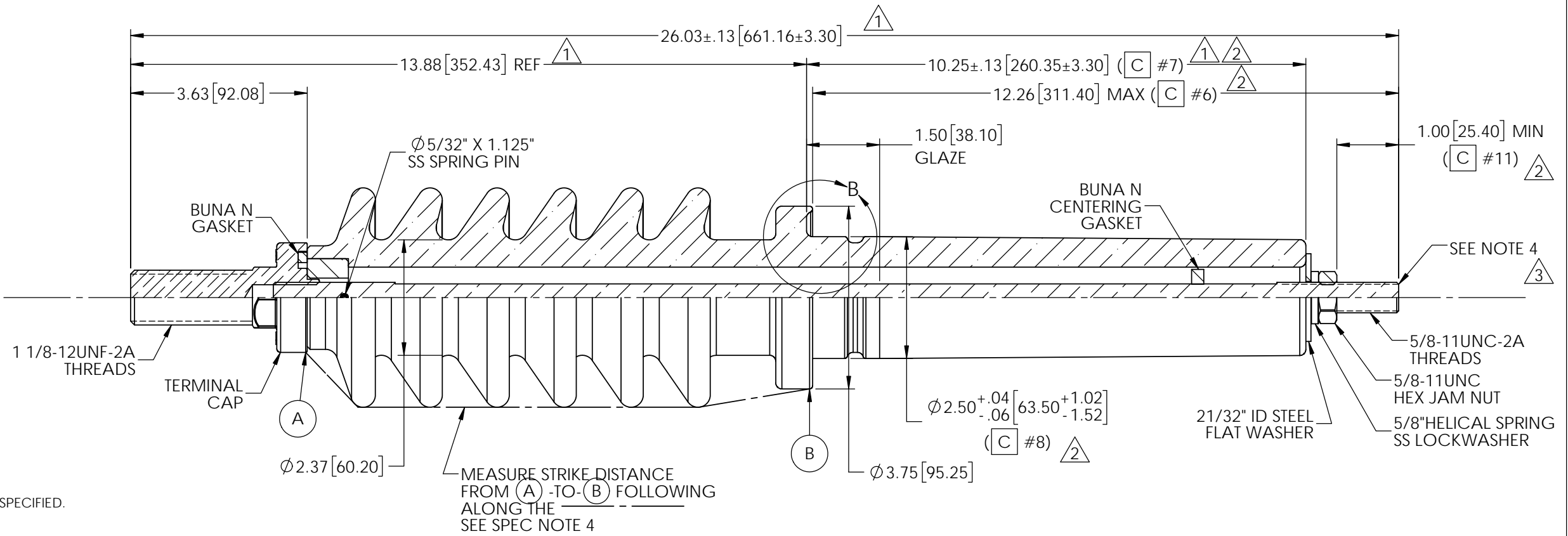
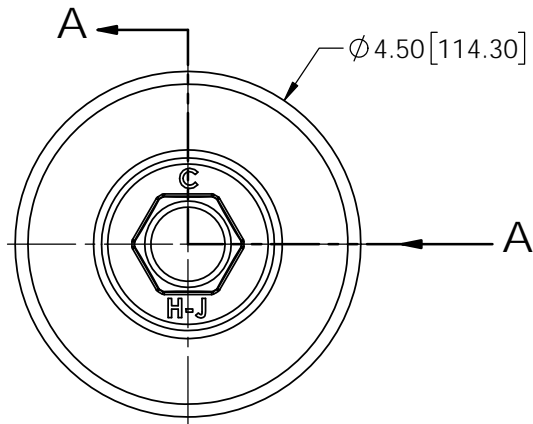


REVISIONS					
REV.	DATE	ECN #	DESCRIPTION	BY	APPROVED
1	11/18/2014	HJ14-245	26.03 WAS 26.23, 13.88 WAS 14.00, 10.25 TOL. WAS ±.25, STRIKE WAS 10.60	CLS	BLB
2	9/1/2015	HJ15-198	ADDED GN 3. ADDED CTQ'S 1-THRU-10	TJF	BLB
3	1/5/2016	HJ15-265	ADDED STUD CENTERING NOTE	CLS	JDD
4	11/18/2022	HJ22-227	REMOVE PART NUMBER REFERENCE	CLS	ES



DETAIL B



SECTION A-A

NOTES:
1. ALL DIMENSIONS ARE REFERENCE ONLY UNLESS OTHERWISE SPECIFIED.

- 2. (C) - CRITICAL CHECK (CTQ)
- 3. STUD MUST BE CENTERED IN PORCELAIN WITHIN .13"

MATERIAL:
TERMINAL CAP - C37700 OR HPb59-1 - TIN PLATED
STUD - COPPER C11000

PORCELAIN NOTES:
1. WET PROCESS ELECTRICAL PORCELAIN.
2. GRAY GLAZE MUNSELL 5BG 7.0/0.4
3. TOLERANCE ±3% WITH NOTHING LESS THAN ±.03[.76] UNLESS OTHERWISE NOTED.

- SPECIFICATIONS:
- 1. RATED VOLTAGE.....15kV
 - 2. BASIC IMPULSE LEVEL.....110kV (C #9) with a triangle symbol
 - 3. NOMINAL CURRENT RATING.....500 AMPS
 - 4. STRIKE DISTANCE (MIN.).....10.40 [264.16mm] (C #2) with triangles 1 and 2
 - 5. CREEP DISTANCE (MIN.).....18.50 [469.90mm] (C #10) with a triangle symbol
 - 6. APPROXIMATE WEIGHT.....13.6 LBS
 - 7. DESIGN TEST PER C57.19.00 - 2004 (DRY & WET WITHSTAND).
 - 8. DESIGN TEST PER C57.15 - 2009 (FULL-WAVE IMPULSE WITHSTAND).

PROPRIETARY AND CONFIDENTIAL
THE INFORMATION CONTAINED IN THIS DRAWING IS THE SOLE PROPERTY OF H-J ENTERPRISES, INC. ANY REPRODUCTION IN PART OR AS A WHOLE WITHOUT THE WRITTEN PERMISSION OF H-J ENTERPRISES, INC. IS PROHIBITED.

TOLERANCES (EXCEPT AS NOTED)	
DECIMAL	±.032/.8mm
FRACTIONAL	±
ANGULAR	±2°



H-J ENTERPRISES, INC.			
3010 HIGH RIDGE BLVD. HIGH RIDGE, MO. 63049 USA PHONE 1-636-677-3421 FAX 1-636-376-1915			
15KV-110BIL BUSHING ASSEMBLY 5/8-11UNC			
MATERIAL (SEE DRAWING)			
CHK'D JDD	APP'D 01/05/16	DRAWING NO.	
SCALE N.T.S.	DATE 10/27/14	AS1829-001	

DRAWN BY TJF